

DATA SHEET

OLH5800/5801: Hermetic Opto-Isolated High-Speed Power MOSFET Drivers

Features

- Rugged and reliable hermetic Dual Inline Package (DIP)
- Performance guaranteed over full military temperature range
- High isolation voltage, 3000 V_{DC}
- High Common Mode Rejection (CMR), >10 kV/μs
- High speed:
 - <200 ns typical delay time
 - <45 ns typical t_r and t_f
- Under-Voltage Lock Out (UVLO) with hysteresis
- Operating range of 10 V to 18 V
- High output current

Description

The OLH5800/5801 are optocoupled non-inverting drivers for power Metal Oxide Semiconductor/Silicon Field-Effect Transistor (MOSFET) loads at high-switching speeds where electrical isolation is required. The OLH5801 is a 100% high-reliability screened version of the OLH5800.

Each unit consists of an LED that is optically coupled to a Bi-polar Complementary Metal Oxide Semiconductor (BiCMOS) driver integrated circuit, and packaged in a hermetic 8-pin DIP that provides 3000 V of input/output insulation and over 10 kV/μs of CMR. The integrated driver and active pull-down circuit can drive high peak currents into a 1000 pF capacitive load (C_{LOAD}) with fast output rise and fall times. Energizing the input I_F = 10 mA LED produces a logic high output.

The UVLO circuitry in the output trips at 8 V, and forces the output low. The UVLO circuit with hysteresis ensures proper operation during power-up and prevents damage during brown-out conditions.

All terminals are fully protected against up to 4 kV of electrostatic discharge (ESD).

Note: Certain cleaning processes may be harmful to this device. Contact Isolink for details.

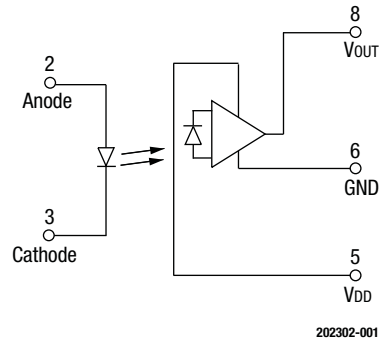


Figure 1. OLH5800/5801 Block Diagram

Figure 1 shows the OLH5800/5801 functional block diagram. Table 1 provides the OLH5800/5801 absolute maximum ratings. Table 2 provides the OLH5800/5801 electrical specifications.

Figures 2 through 4 illustrate the OLH5800/5801 typical performance characteristics. Figure 5 shows the OLH5800/5801 switching test circuit. Figure 6 provides the OLH5800/5801 package dimensions.

Table 1. OLH5800/5801 Absolute Maximum Ratings¹

Parameter	Symbol	Minimum	Maximum	Units
<i>Coupled</i>				
Input to output isolation voltage ²	V _{DC}	-3000	+3000	V
Storage temperature range	T _{STG}	-65	+150	°C
Operating temperature range	T _A	-55	+125	°C
Lead solder temperature (1.6 mm below the seating plane)			+260 for 10 sec	°C
<i>Input Diode</i>				
input current	I _{DD}		20	mA
Reverse voltage	V _R		3	V
Input power dissipation	P _D		36	mW
<i>Output Detector</i>				
Supply voltage	V _{CC}		+20	V
Power dissipation	P _D		+400	mW
Power dissipation derated	P _D		+6.7 mW/°C above +90.0 °C	mW/°C

¹ Exposure to maximum rating conditions for extended periods may reduce device reliability. There is no damage to the device with only one parameter set at the limit and all other parameters set at or below their nominal value. Exceeding any of the limits listed here may result in permanent damage to the device.

² Measured between pins 1, 2, 3, and 4 shorted together, and pins 5, 6, 7, and 8 shorted together.

CAUTION: Although this device is designed to be as robust as possible, electrostatic discharge (ESD) can damage this device. This device must be protected at all times from ESD. Static charges may easily produce potentials of several kilovolts on the human body or equipment, which can discharge without detection. Industry-standard ESD precautions should be used at all times.

Table 2. OLH5800/5801 Electrical Specifications ¹
(T_A = -55 °C to +125 °C, Unless Otherwise Noted)

Parameter	Symbol	Test Condition	Minimum	Typical	Maximum	Units
Output voltage:						
Low level	V _{OL}	V _{DD} = 18 V, I _{OL} = 50 mA, I _F = 0 mA		0.75	1.1	V
High level	V _{OH}	V _{DD} = 18 V, I _{OL} = 50 mA, I _F = 10 mA	16	16.9		V
Peak output current ² :	I _{PK}					
Source			1.4			A
Sink			0.8			A
Power supply current:						
High level	I _{DDH}	V _{DD} = 18 V, I _F = 10 mA		4	10	mA
Low level	I _{DDL}	V _{DD} = 18 V, I _F = 0 mA		3	8	mA
Power supply voltage:						
Start-up	V _S			9	10	V
Drop-out	V _{UV}			8		V
Input forward voltage	V _F	I _F = 10 mA		1.65	2.3	V
Input reverse breakdown voltage	B _{VR}	I _R = 10 μA	5			V
Input to output ³ :						
Leakage current	I _{L0}	R _H ≤ 50%, T _A = 25 °C, V _{L0} = 3000 V _{DC} , t = 1 s			1	μA
Capacitance	C _{L0}	F = 1 MHz		1		pF
Propagation delay time:						
Turn on	t _{bd1}	I _F = 10 mA, V _{DD} = 15 V, C _L = 1000 pF		200		ns
Turn off	t _{bd2}	I _F = 10 mA, V _{DD} = 15 V, C _L = 1000 pF		300		ns
Output time:						
Rise time (10% – 90%)	t _r	I _F = 10 mA, V _{DD} = 15 V, C _L = 1000 pF		40		ns
Fall time (90% – 10%)	t _f	I _F = 10 mA, V _{DD} = 15 V, C _L = 1000 pF		45		ns
Common mode transient immunity:						
High level	CM _H	V _{CM} = 300.0 V peak, V _O (minimum) = 2.0 V, I _F = 10 mA, T _A = 25 °C	5	≥10		KV/μs
Low level	CM _L	V _{CM} = 300.0 V peak, V _O (maximum) = 0.8 V, I _F = 0 mA, T _A = 25 °C	5	≥10		KV/μs

¹ Performance is guaranteed only under the conditions listed in the above table.

² 1 ms, 1% duty cycle pulse input, output shorted to V_{DD} or GND.

³ Measured between pins 1, 2, 3, and 4 shorted together, and pins 5, 6, 7, and 8 shorted together.

Typical Performance Characteristics

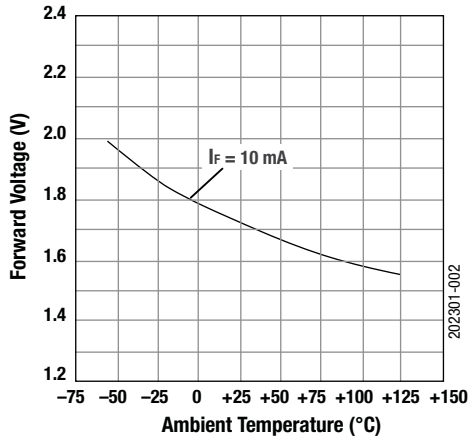


Figure 2. Forward Voltage vs Temperature

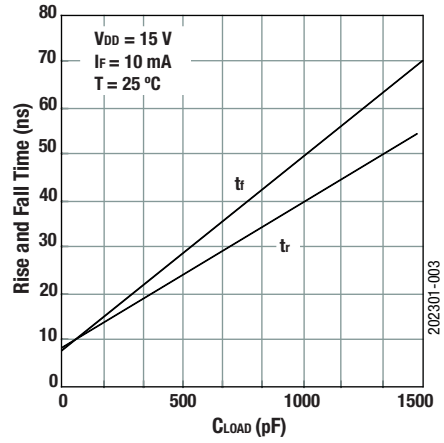


Figure 3. Rise and Fall Time vs Capacitive Load

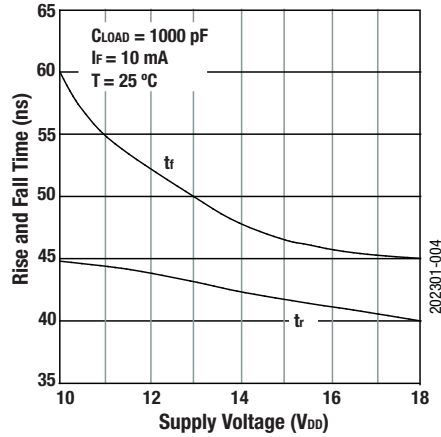


Figure 4. Rise and Fall Time vs Supply Voltage

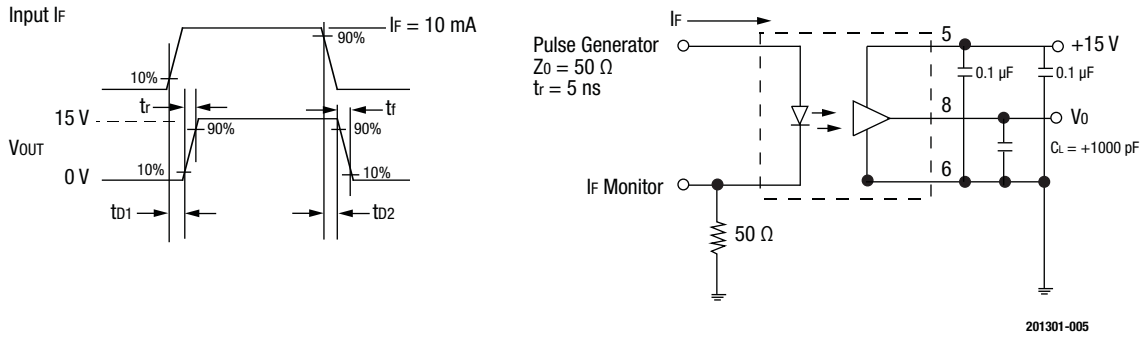


Figure 6. OLH5800/5801 Switching Test Circuit

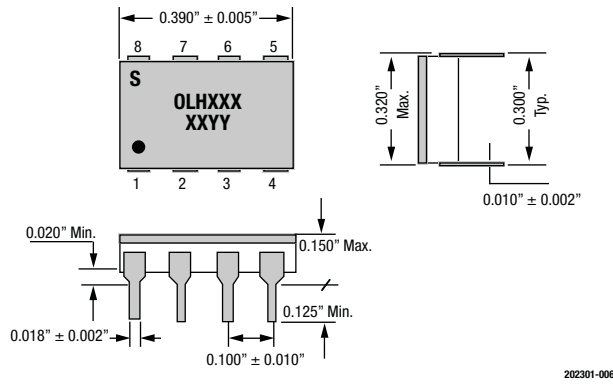


Figure 7. OLH5800/5801 Package Dimensions

Ordering Information

Model Name	Manufacturing Part Number
OLH5800/5801: Hermetic Opto-Isolated High-Speed Power MOSFET Drivers	OLH5800/5801

Copyright © 2012, 2017 Isolink, Inc. All Rights Reserved.

Information in this document is provided in connection with Isolink, Inc. (“Isolink”), a wholly-owned subsidiary of Skyworks Solutions, Inc. These materials, including the information contained herein, are provided by Isolink as a service to its customers and may be used for informational purposes only by the customer. Isolink assumes no responsibility for errors or omissions in these materials or the information contained herein. Isolink may change its documentation, products, services, specifications or product descriptions at any time, without notice. Isolink makes no commitment to update the materials or information and shall have no responsibility whatsoever for conflicts, incompatibilities, or other difficulties arising from any future changes.

No license, whether express, implied, by estoppel or otherwise, is granted to any intellectual property rights by this document. Isolink assumes no liability for any materials, products or information provided hereunder, including the sale, distribution, reproduction or use of Isolink products, information or materials, except as may be provided in Isolink Terms and Conditions of Sale.

THE MATERIALS, PRODUCTS AND INFORMATION ARE PROVIDED “AS IS” WITHOUT WARRANTY OF ANY KIND, WHETHER EXPRESS, IMPLIED, STATUTORY, OR OTHERWISE, INCLUDING FITNESS FOR A PARTICULAR PURPOSE OR USE, MERCHANTABILITY, PERFORMANCE, QUALITY OR NON-INFRINGEMENT OF ANY INTELLECTUAL PROPERTY RIGHT; ALL SUCH WARRANTIES ARE HEREBY EXPRESSLY DISCLAIMED. ISOLINK DOES NOT WARRANT THE ACCURACY OR COMPLETENESS OF THE INFORMATION, TEXT, GRAPHICS OR OTHER ITEMS CONTAINED WITHIN THESE MATERIALS. ISOLINK SHALL NOT BE LIABLE FOR ANY DAMAGES, INCLUDING BUT NOT LIMITED TO ANY SPECIAL, INDIRECT, INCIDENTAL, STATUTORY, OR CONSEQUENTIAL DAMAGES, INCLUDING WITHOUT LIMITATION, LOST REVENUES OR LOST PROFITS THAT MAY RESULT FROM THE USE OF THE MATERIALS OR INFORMATION, WHETHER OR NOT THE RECIPIENT OF MATERIALS HAS BEEN ADVISED OF THE POSSIBILITY OF SUCH DAMAGE.

Isolink products are not intended for use in medical, lifesaving or life-sustaining applications, or other equipment in which the failure of the Isolink products could lead to personal injury, death, physical or environmental damage. Isolink customers using or selling Isolink products for use in such applications do so at their own risk and agree to fully indemnify Isolink for any damages resulting from such improper use or sale.

Customers are responsible for their products and applications using Isolink products, which may deviate from published specifications as a result of design defects, errors, or operation of products outside of published parameters or design specifications. Customers should include design and operating safeguards to minimize these and other risks. Isolink assumes no liability for applications assistance, customer product design, or damage to any equipment resulting from the use of Isolink products outside of stated published specifications or parameters.

Isolink is a trademark of Isolink Inc. in the United States and other countries. Skyworks and the Skyworks symbol are trademarks or registered trademarks of Skyworks Solutions, Inc., in the United States and other countries. Third-party brands and names are for identification purposes only, and are the property of their respective owners.